

**2.5in** <sup>9.5</sup>mm

**ADAPTER**

# SATA 3 to M.2 SSD Enclosure



## Features

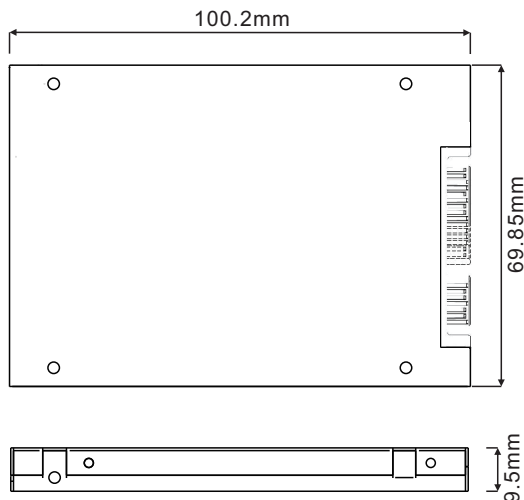
- Standard 2.5", 9.5mm(H) Form Factor
- Support a SATA host & M.2 NGFF SSD device
- M.2 (NGFF) to SATA III Module
- Support SATA Rev. 3.2 DEVSLP function
- Green LED indicates the M.2 SSD's power status
- Red LED indicates the M.2 SSD's active status

## Specifications

- Support SATA Reversion 3.2
- Compliant with PCI Express M.2 Spec. Version 1.0
- Support SFF-8201 for Form Factor of 2.5" Disk Drives
- PWM synchronous buck converter Power IC
  - 3A maximum output current
  - Short circuit protection
  - In-rush current suppression
  - Thermal shutdown protection
  - ESD HBM (Human Body Mode)/2KV

## Support M.2 Form factor

- Type 2280-D2-B-M: 80mm(L) x 22mm(W)
- Type 2260-D2-B-M: 60mm(L) x 22mm(W)
- Type 2242-D2-B-M: 42mm(L) x 22mm(W)
- Type 2230-D2-B-M: 30mm(L) x 22mm(W)



**2.5  
INCH**

**M.2  
SSD**

**SATA  
6GB/s**

